

**TCM2J1A4PL2P**

## REMOTE CONTROL UNITS WITH MORE COMMANDES

Remote control with 2 Joystick , 4 buttons and Emergency Reset .  
 It is possible to configurate The product like the customer wanted

### MECHANICAL SPECIFICATIONS

CONFORMITY DIRECTIVE.....2006/95/CE  
 CONFORMITY                   EN60204-1 EN 60947-1 EN 60947-5-1  
   EN 60529 EN 418  
 TEMPERATURE .....-25°C/+70°C  
 GRADE OF PROTECTION.....IP65  
 CATEGORY ISOLATION.....Classe II  
 INPUT CABLE.....MANICOTTO IN GOMMA (diam.14-26 mm)  
 WEIGHT.....1,5Kg  
 MARKING .....CE

### ELECTRICAL SPECIFICATIONS

SUPPLY.....da 12V o 24V  
 CURRENT NOMINAL.....3 A  
 VOLTAGE NOMINAL ISOLATION.....500V AC  
 MECHANICAL CYCLES.....0,5 X 10<sup>6</sup>



### Product code : F00192-0000-000 mod TCM2J1A4PL2PO

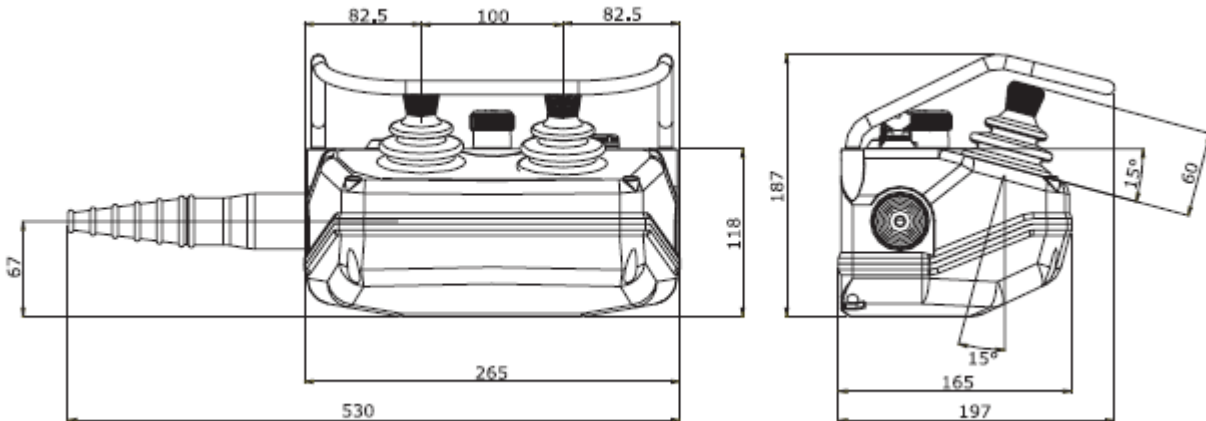
SELECTOR KEY.....pz 1  
 PUSH BUTTON EMERGENCY  
 RELAY START.....pz1  
 JOYSTICK ON/OFF 1 AXIS.....pz2  
 PUSH BUTTONS SQUARE.....pz2  
 SWITCH LEVER.....pz4  
 CABLE 1X26 WITH ENDING 50cm.....mt15  
 CONNECTORDIN 43650.....pz12



**TCM2J1A4PL2P**

## REMOTE CONTROL UNITS WITH MORE COMMANDES

### DIMENSION



The company is responsible in no accidental error which might be found in this document and reserves the right to modify the description and the data without notice.

