

SMI-10P

Interface Module 10 Poles

INTERFACE CARD FORM 10 POLES

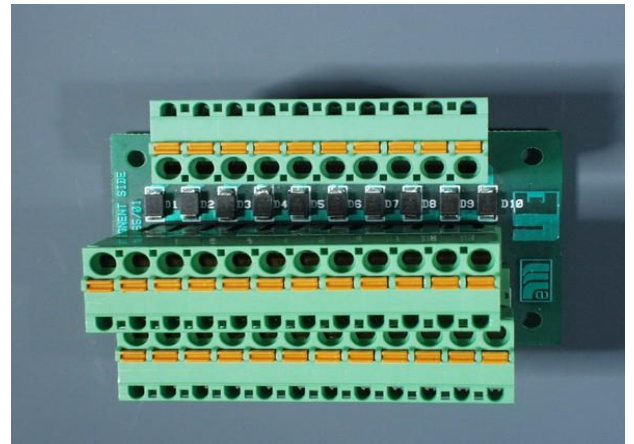
The interface card form 10 poles is used in applications where is required the piloting of two actuators temporarily, as in hydraulic blocks when the motion valve has to be driven with **call oil (Or putting in unloading)**. You can drive 10 motion valves and 1 exhaust valve (in common).

MAXIMUM VOLTAGE: 100V
FALL OF MAXIMUM VOLTAGE ON OUTPUT: ... 0,65V
 RESPONSE TIME: no delay
 TEMPERATURE FIELD: -40°C ÷ 150°C
 MAXIMUM CURRENT ON OUTPUT 2 A
 PROTECTION LEVEL: **resin**
OTHER VERSIONS: screw clamp, spring clamp, diode for recirculation valve

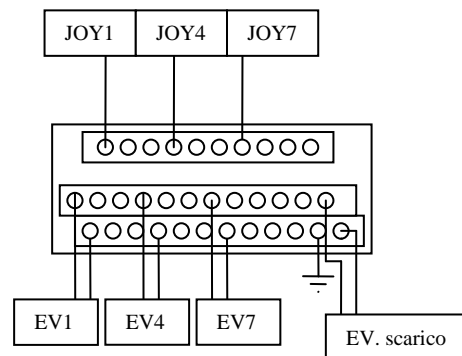
ORDER CODE: **F00041/MM spring clamp**
F00041/MV screw clamp
F00041 diode for recirculation valve

FUNCTIONING

- Connect signals on the single clamp 10 poles J1 and the valves on the double level clamps 12 poles J2 with the negative (GND) below and above the positive.



CONNECTION SCHEME





Unify Electronic
Design and Engineering
Electronic Equipment

SMI-10P

Interface Module 10 Poles

ATTENTION

If you use the interface card module 10 poles directly on the valve, make sure that the absorption of the valves does not exceed 2°.