

BP-612

Mini Armrest For Servocontrol

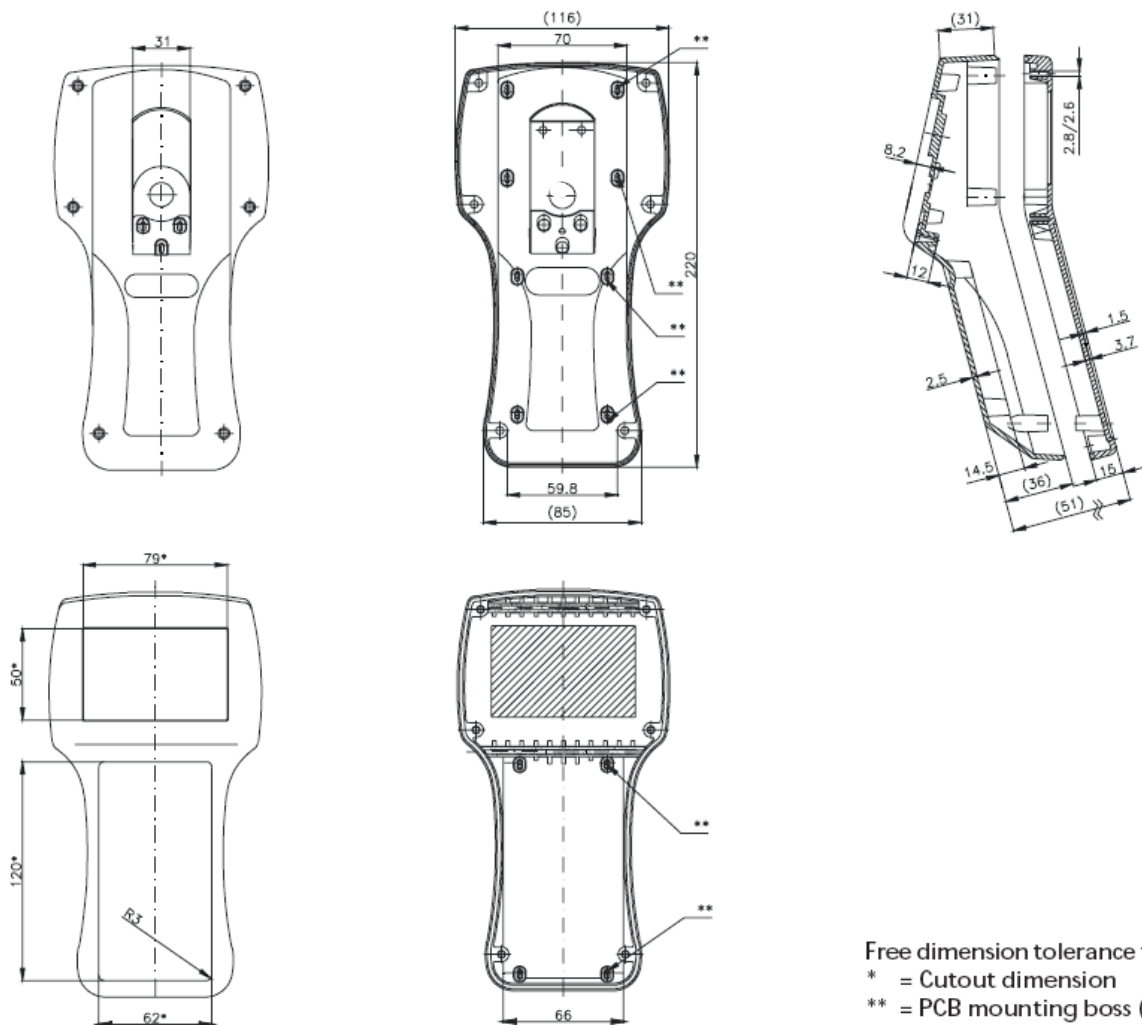
They have been foreseen protections against the short-circuit in output, limitation in current in case of high temperature and protection against inversion of polarity of alimentation.

CALIBRATION

The Mini Armrest BP612 can to be regulate through the programming PC with dedicated software GAMMA 1 SUITE ,the software downloaded free to internet www.unifyelectronic.com

If we insert the cable in the connector the system automatically positions in the modality of programming dedicated to product.

DIMENSIONS

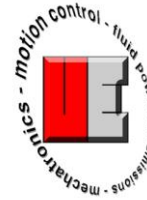


Free dimension tolerance to DIN 16901-130

* = Cutout dimension

** = PCB mounting boss (screw 3 x 8)





BP-612

Mini Armrest For Servocontrol

The company assume no responsibility for only errors which may appear in this document, reserves the right to change device or specifications detailed herein at any time without notice.

